

NOTES:

- 1- USE DIMENSIONS FROM DIAGRAM A TABLE TO ADJUST BACK-SET POSITION ACCORDING TO LOW AND HIGH BEVEL DOOR EDGE.
- 2- DIMENSIONS ARE SYMETRICAL ABOUT CL UNLESS OTHERWISE NOTED.
- 3- THIS DRAWING HAS SPECIFIC TOLERANCES. REFER TO TABLE FOR DIMENSIONS MARKED WITH @
- 4- DEPTH MEASURED FROM THE FRONT OF DOOR, ON THE CENTER LINE CL

SPECIFIC TOLERANCES:

DISTANCES: $\pm .030$ ($\pm .75\text{mm}$)
 HOLES Ø : $\pm .010$ ($\pm .25\text{mm}$)
 DIMS MARKED @: $+ .030$ ($+ .75\text{mm}$)
 $- .000$ ($- .00\text{mm}$)

REVISIONS					
REV	ECN	DESCRIPTION	FAIT PAR MADE BY	VERIF PAR CHK'D BY	DATE
3	12255	71M AND 770 ADDED IN TITLE BLOCK	P.P.	A.T.	14DE 2006
4	12494	DIMS ∇ .094 WAS .060	P.P.	A.T.	15JN 2007
5	12610	790 ADDED IN TITLE BLOCK	F.D.	C.D.	24OC 2007

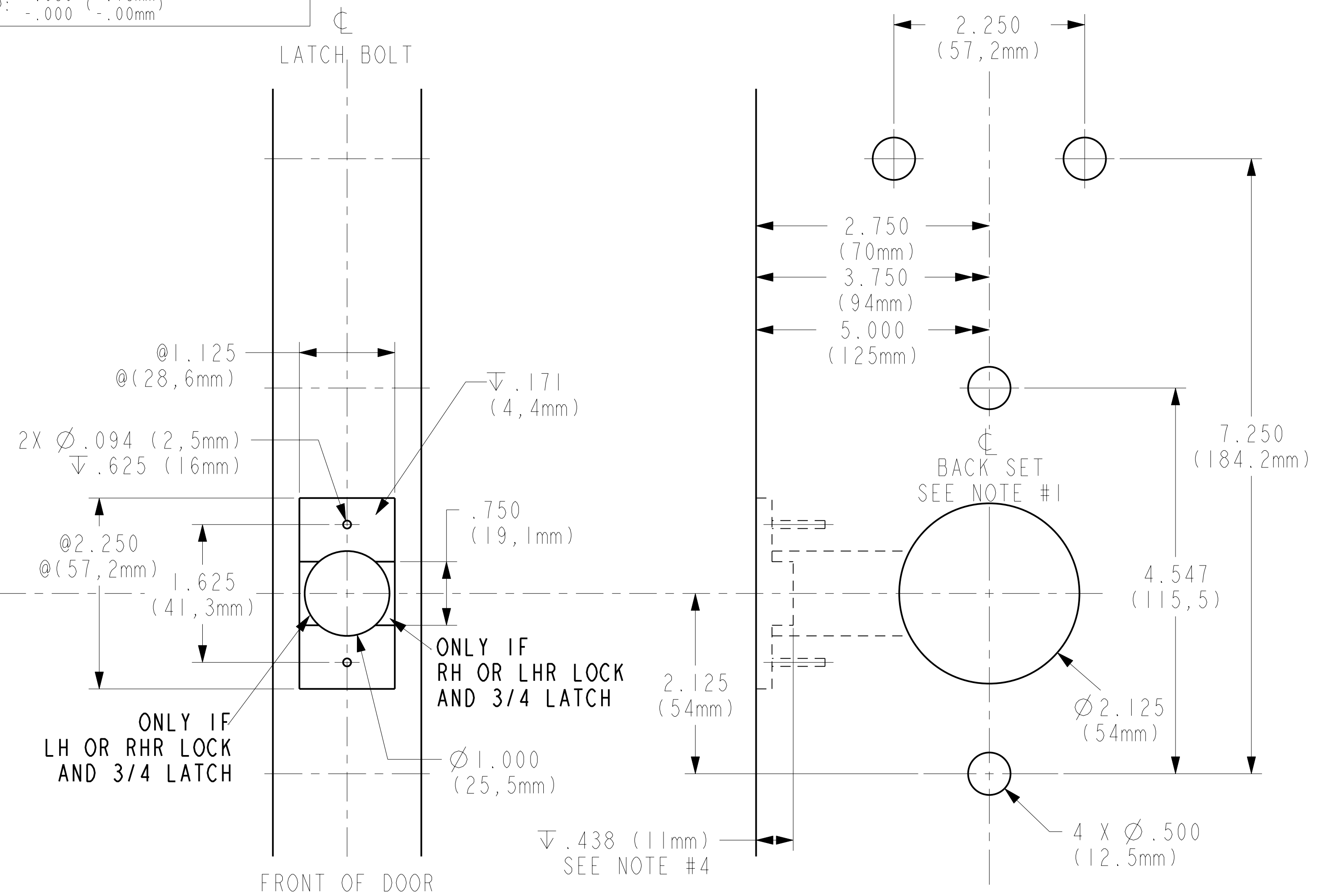
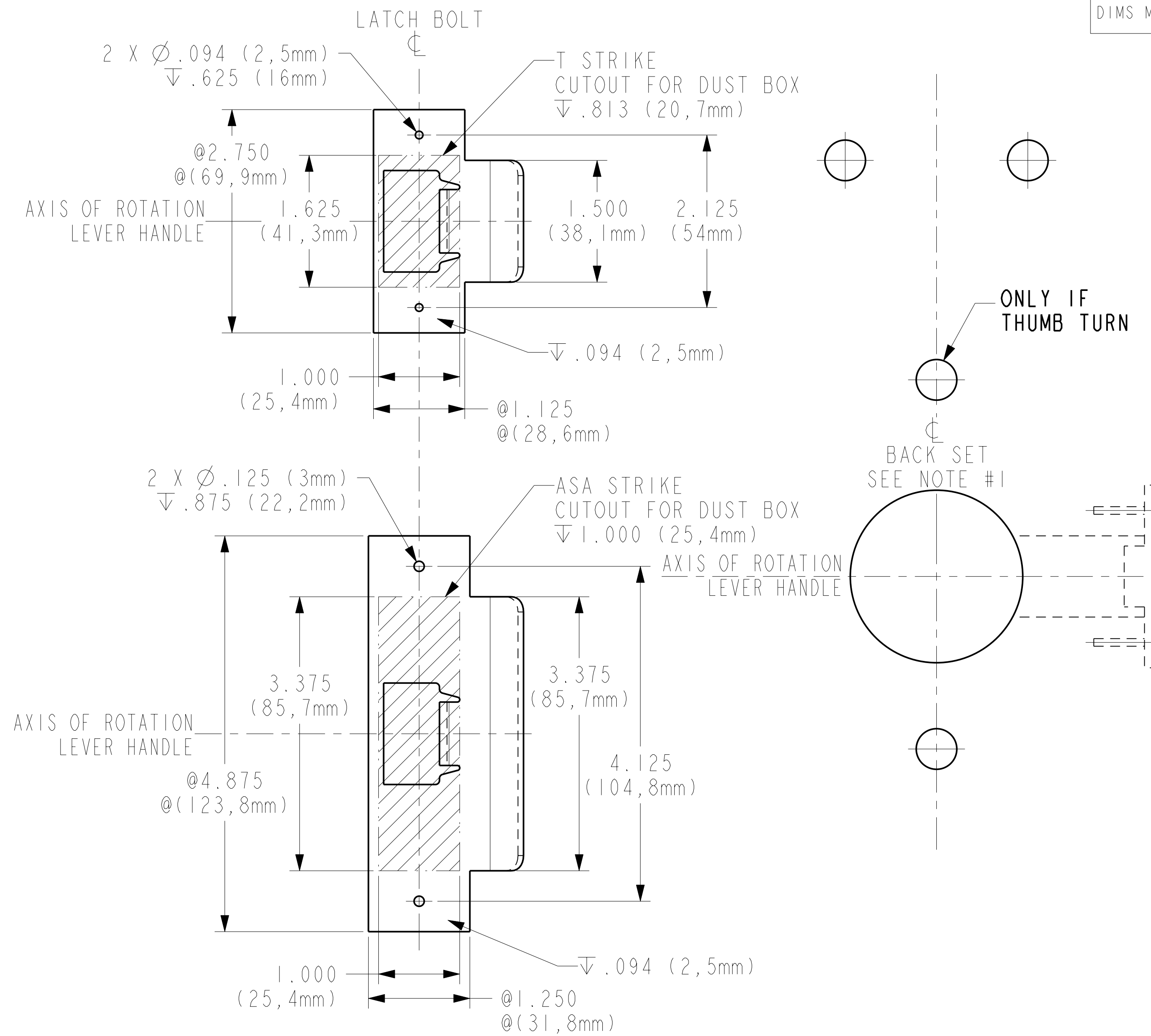
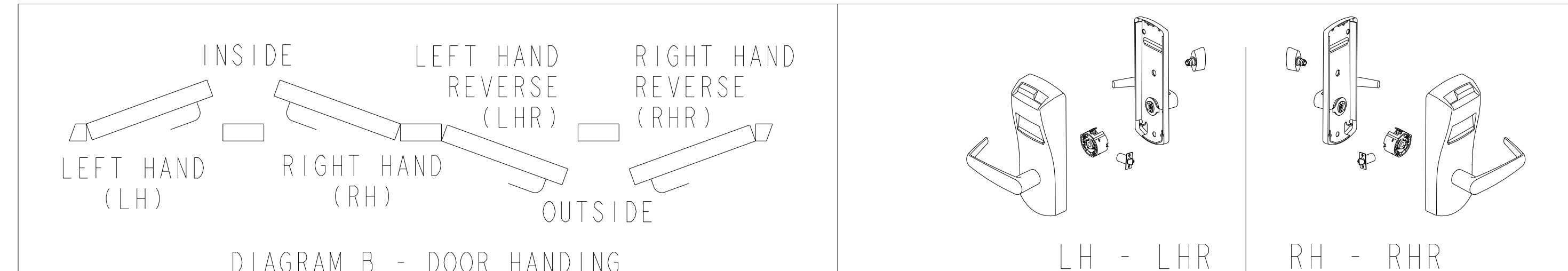


DIAGRAM A - BACK SET AJUSTEMENT FOR 3° BEVEL DOOR

DOOR THICKNESS DIMENSION X	BACK SET AJUSTEMENT DIMENSION Y
1.25 (31,8mm)	.032 (0,81mm)
1.50 (38,1mm)	.039 (1,00mm)
1.75 (44,5mm)	.046 (1,17mm)
2.00 (50,8mm)	.052 (1,32mm)
2.25 (57,2mm)	.059 (1,50mm)
2.50 (63,5mm)	.065 (1,65mm)
2.75 (69,9mm)	.072 (1,83mm)



LE MATERIAU ET LA FINITION DE CETTE PIECE DOIVENT RESPECTER LES DIRECTIVES ENVIRONNEMENTALES; REFERENCE AU STANDARD D'INGENIERIE DE KABA ES-073.
 MATERIAL AND FINISH OF THIS PART TO COMPLY WITH ENVIRONMENTAL DIRECTIVES; REFERENCE TO KABA'S ENGINEERING STANDARD ES-073.

XXX	DIMENSIONS CRITIQUES CRITICAL DIMENSIONS	SANS AUTRES SPECIFICATIONS, LES DIMENSIONS SONT EN POUCES ET S'APPLIQUENT APRES FINITION.	DESSEIN PAR: DRAWN BY: P. PRIEUR 01AU02		7301, Decarie Boul Montreal, QC Canada H4P 2G7 www.kaba-ilco.com
⊕	PROJECTION 3iem ANGLE THIRD ANGLE PROJECTION	UNLESS OTHERWISE SPECIFIED, DIMENSIONS ARE IN INCHES AND APPLY AFTER FINISH.	CONCU PAR: DESIGNED BY: C. DOUCET 01AU02		
NE PAS MESURER SUR LE DESSIN DO NOT SCALE DRAWING		TOLERANCES: SAUF SI SPECIFIEES AUTREMENT UNLESS OTHERWISE SPECIFIED	VERIFIE PAR: VERIFIED BY: -	DOOR PREPARATION CYLINDRICAL UNIT - 2-3/4" BACKSET LEFT HAND (LH) - LEFT HAND REVERSE (LHR) RIGHT HAND (RH) - RIGHT HAND REVERSE (RHR) 660, 760, 770, 790, E-2000 AND 76M LOCK SERIES	
DIMENSIONING AND TOLERANCING AS PER AMERICAN SOCIETY OF MECH ENGINEERS ASME Y14.5-1994		APPROUVE PAR: APPROVED BY: -	MATERIAU / MATERIAL	FORMAT NO PIECE / PART NO: NO DESSIN / DRAWING NO:	
CE DOCUMENT EST LA PROPRIETE STRICTE DE KABA. LES DONNEES QU'IL CONTIENT NE PEUVENT ETRE COPIEES OU DIVULQUEES A UNE TIERCE PARTIE SANS LE CONSENTEMENT ECRIT DE KABA. CE DOCUMENT DEVRA ETRE RETOURNE SUR DEMANDE A KABA. THIS DOCUMENT IS PROPERTY OF KABA. THE DATA CONTAINED IS PROPRIETARY AND SHALL NOT BE COPIED OR DISCLOSED TO A THIRD PARTY WITHOUT WRITTEN CONSENT OF KABA. THIS DOCUMENT WILL BE RETURNED TO KABA UPON DEMAND. UNE VERSION FRANCAISE DE CE DOCUMENT EST DISPONIBLE SUR DEMANDE.		SPECIFIC TOLERANCES SEE NOTES	FINITION / FINISH	B ECH SCALE N/A NTS PG SHT I DE OF I	
			TRAITEMENT THERMIQUE / HEAT TREATMENT		
			NOT APPLICABLE		
			NOT APPLICABLE		
			NOT APPLICABLE		

- SYMBOLS
- ∇ DEEP
 - CL CENTER LINE
 - Ø DIAMETER
 - --- NOT TO SCALE